

4K Starlight OmniView Network Camera

IPC8542ER5-DUP



Key Features



Optics

- Fifth-generation infrared technology, up to 30m (98.4ft) IR distance
- Starlight illumination
- Smart IR
- 2D/3D DNR (Digital Noise Reduction)
- 120dB true WDR
- Support a horizontal viewing angle of 180°

Compression

- Ultra H.265, H.265, H.264, MJPEG
- Triple streams

- Customized OSD
- 4096×1800@30fps supported

Network

- ONVIF Conformance

Structure

- AC/DC24V or PoE(IEEE 802.3at) power supply
- Wide voltage range of ±25% in AC, 18V~48V in DC
- Micro SD, up to 256 GB
- Alarm 2 in and 1 out, Audio 1 in and 1 out
- IP67 ingress protection

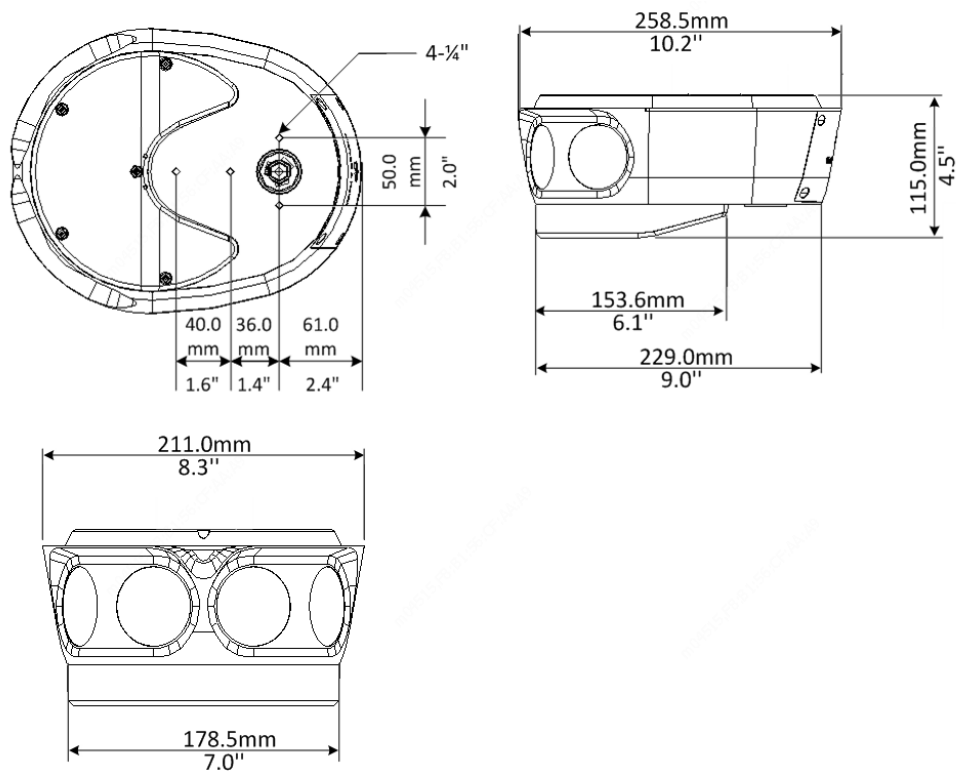
Specifications

| IPC8542ER5-DUP | | | | | |
|-------------------|--|----------------|--------------|----------------|--------------|
| Camera | | | | | |
| Sensor | 1/1.8" progressive scan, 2.0 megapixel, CMOS | | | | |
| Lens | 4×4.2mm lens | | | | |
| Iris | F1.8 | | | | |
| DORI Distance | Lens (mm) | Detect (m) | Observe (m) | Recognize (m) | Identify (m) |
| | 4.2 | 50.4 (165.4ft) | 20.2(66.3ft) | 10.1(33.1ft) | 5.0(16.4ft) |
| Angle of View (H) | 180° | | | | |
| Angle of View (V) | 80° | | | | |
| Angle of View (O) | 221.4° | | | | |
| Shutter | Auto/Manual, shutter time: 1 s ~ 1/100000 s | | | | |
| Adjustment angle | Pan: -90°~90° | | | Tilt: -45°~60° | |
| Min. Illumination | Colour: 0.002lux (F1.8,AGC ON) 0lux with IR | | | | |
| WDR | 120dB | | | | |
| Day/Night | IR-cut filter with auto switch (ICR) | | | | |
| S/N | >52dB | | | | |
| IR Range | Up to 30m (98.4 ft) IR range | | | | |
| Wavelength | 850nm | | | | |
| IR On/Off Control | Auto/Manual | | | | |

| | |
|-------------------------|--|
| Defog | Digital Defog |
| Video | |
| Video Compression | Ultra 265, H.265, H.264, MJPEG |
| Frame Rate | Main Stream: 4096×1800:Max. 30 fps; Sub Stream: 1920×832:Max. 30 fps; Third Stream: 1280×560: Max. 30 fps |
| Video Bit Rate | 128 Kbps~16 Mbps |
| ROI | Supported |
| Video stream | Triple streams |
| OSD | Up to 8 OSDs |
| Privacy Mask | Up to 8 areas(8 blacks/4 mosaics+4 blacks) |
| Image | |
| White Balance | Auto/Outdoor/Fine Tune/Sodium Lamp/Locked/Auto2 |
| Digital noise reduction | 2D/3D DNR |
| Smart IR | Support |
| Flip | Normal/Flip Vertical/Flip Horizontal/180°/90°Clockwise/90°Anti-clockwise |
| HLC | Support |
| BLC | Support |
| Smart | |
| General Function | Watermark, IP Address Filtering, Tampering Alarm, Alarm input, Alarm output, Access Policy, ARP Protection, RTSP Authentication, User Authentication |
| Audio | |
| Audio Compression | G.711U, G.711A |
| Two-way Audio | Supported |
| Suppression | Supported |
| Sampling Rate | 8KHZ |
| Storage | |
| Edge Storage | Micro SD, up to 256 GB |
| Network Storage | ANR,NAS(NFS) |
| Network | |
| Protocols | IPv4, IGMP, ICMP, ARP, TCP, UDP, DHCP, PPPoE, RTP, RTSP, RTCP, DNS, DDNS, NTP, FTP, UPnP, HTTP, HTTPS, SMTP, 802.1x, SNMP, QoS, RTMP |
| Compatible Integration | ONVIF (Profile S, Profile G, Profile T), API |
| Client | EZStation EZLive Ezview |
| Web Browser | Plug-in required live view: IE9+, Chrome 41 and below, Firefox 52 and below |
| Interface | |
| Audio I/O | Audio cable |
| | 1 Input: impedance 35kΩ; amplitude 2V [p-p] |
| | 1 output: impedance 600Ω; amplitude 2V [p-p] |
| Alarm I/O | 2/1 |
| Network | 2*10M/100M/1000M Base-TX Ethernet |
| Certification | |
| Certifications | CE: EN 60950-1 UL: UL 60950-1 FCC: FCC Part 15 |
| General | |

| | |
|---------------------|--|
| Power | AC24V±25%/DC24V support 18V-48V, PoE(IEEE 802.3at) |
| | Power consumption: Max 23.6W |
| Dimensions (Ø x H) | 259mmx211mmx115mm(10.2"×8.3"×4.5") |
| Weight | 2.38kg(5.25lb) |
| Working Environment | -40°C ~ +70°C (-40°F ~ 158°F), Humidity: ≤95%RH RH(non-condensing) |
| Storage Environment | -40°C ~ +70°C (-40°F ~ 158°F), Humidity: ≤95%RH RH(non-condensing) |
| surge protection | 6KV |
| Ingress Protection | IP67 |

Dimensions

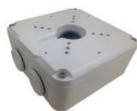


Accessories

TR-WE45-D-IN



TR-JB07-D-IN



TR-CM06-C-IN



TR-UV06-C-IN



TR-UP06-IN

TR-UP06-B-IN



| Junction Mount | Pole Mount |
|-----------------------------|-----------------------------|
| TR-WE45-D-IN + TR-JB07-D-IN | TR-WE45-D-IN + TR-UP06-B-IN |
| | |
| Pendent mount | Rail mount |
| TR-CM06-C-IN | TR-UV06-C-IN+ TR-UP06-IN |
| | |

Zhejiang Uniview Technologies Co., Ltd.

Building No.10, Wanlun Science Park, Jiangling Road 88, Binjiang District, Hangzhou, Zhejiang, China (310051)

 Email: overseasbusiness@uniview.com; globalsupport@uniview.com
<http://www.uniview.com>

©2020 Zhejiang Uniview Technologies Co., Ltd. All rights reserved.

*Product specifications and availability are subject to change without notice